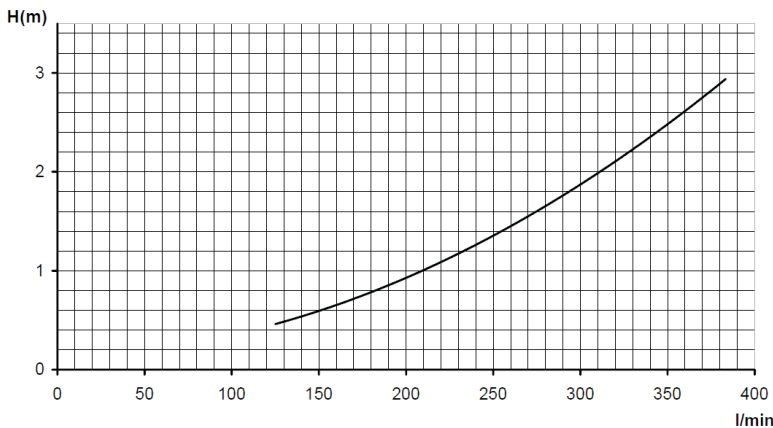




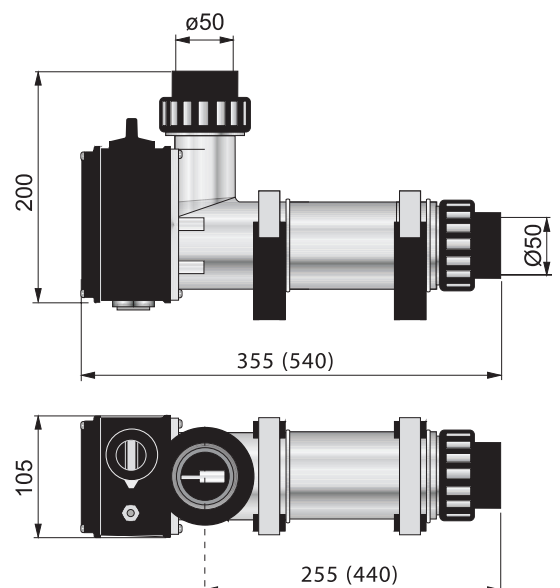
- **Capacity 3-18 kW** - fast and flexible heating of swimming pool
- **Electric heater made of fiberglass reinforced thermoplastic** - tough and corrosion-resistant
- **Horizontal installation** - eliminates air pockets and damage to the electric heater element
- **Equipped with safety thermostat and flow sensor** - double protection against overheating and a too low water flow
- **Supplied with stable brackets** - simple installation
- **Connections of Ø50 mm** - simple installation
- **Tested and certified** - the highest product safety



### Technical data

Code	kW	230V	400V
14000	3,0	8	5
14002	6,0	15	9
14003	9,0	23	14
14004	12,0	31	18
14005	15,0	38	22
14006	18,0	46	27

### Dimensions



Dimensions for 12 to 18 kW within brackets.  
Minimum flow 90 l/min.