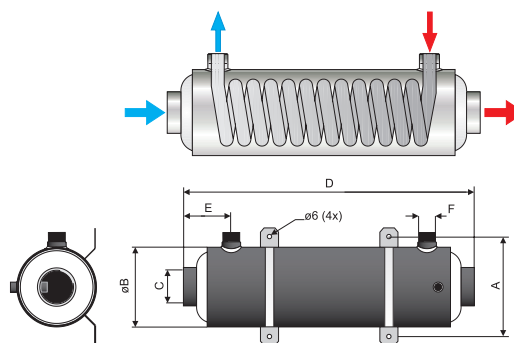
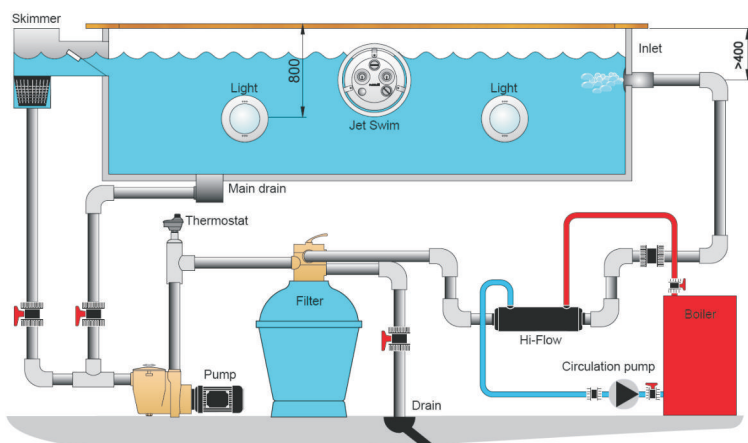


- **Acid-proof stainless steel AISI 316L** - For optimum quality and life.
- **Precision-welded outer jacket** - For optimum finish and long life.
- **Coil for heating medium** - For installations that operate under high pressure.
- **Pocket for probe** - Simple installation of external temperature sensor.
- **Adjustable brackets of acid-resistant stainless steel** - For simpler and more flexible installation.
- **Four sizes: 13, 28, 40 and 75 kW** - For swimming pools of up to 300 m<sup>3</sup>.
- **Connects to boiler, heat pump, solar panel system or other heat source** - Suits all installations



### Dimensions

Cod	A	B	C	D	E	F
13004	139	129	1 1/2"	235	72	3/4"
13006	139	129	1 1/2"	407	75	3/4"
13008	139	129	1 1/2"	455	85	1"
13010	139	129	2"	702	85	1"

The maximum pressure for the secondary circuit (pool water) is 10 bar and for the primary circuit (hot water) 60 bar.

### Technical data

Code	Capacity		Primary, hot water		Secondary, pool water	
	kW	kBtu/h	l/min	press. drop H (m)	l/min	press. drop H (m)
13004	13	45	25	0,9	200	0,6
13006	28	95	25	1,7	300	1,6
Właściwości przy temperaturze 60°.						
13008	40	135	60	1,6	300	1,8
13010	75	260	60	2,1	300	0,9

Capacity at 70° temperature difference.